



## Vačkové spínače řady S 10 – 160 J

## Cam switches series S 10 – 160 J

### Vačkové spínače S...JI, JIZ

- spínače v Al skříni v kombinaci se 3 pojistkami (E 27, E33), IP 54
- S...JI – s páčkou
- S...JIZ – s páčkou a uzamykáním lamelovým zámek FAB

### Cam switches S...JI, JIZ

- switches in Al case in combination with 3 fuses (E 27,E 33), IP 54
- S...JI – with lever
- S...JIZ – with lever and locking with lamella propelling lock

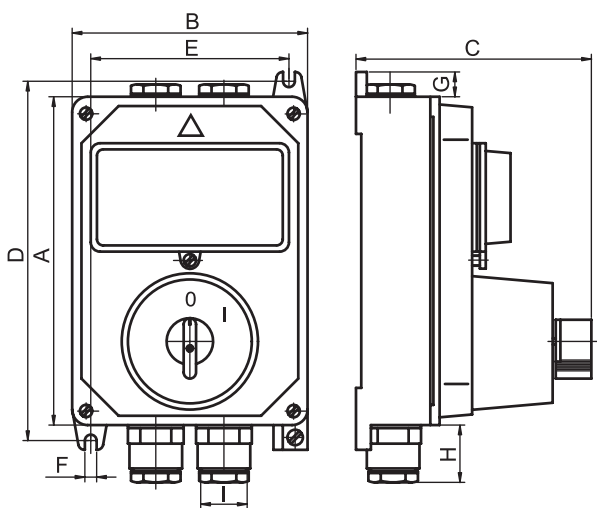
S 10, 16, 25, 32, 63 JI



S 10, 16, 25, 32, 63, JIZ



S 10, 16, 25, 32, 63 JI, JIZ



TYP TYPE	EL. PROVEDENÍ VERSION	A	B	C	D	E	F	G	H	I
S10,16,25 JI	1103, 9151, 9551, 9552, 2203	212	152	136	226	125	7	16	34	P21
	9153			168						
S10,16,25 JIZ	1103, 9151, 9551, 9552, 2203	269	212	170	300	180	9	25	39	P29
	9153			202						
S32,63 JI	1103, 9151, 2203	269	212	166	300	180	9	25	39	P29
	9551, 9153, 9552			198						
S32,63 JIZ	1103, 9151, 2203	269	212	201	300	180	9	25	39	P29
	9551, 9153, 9552			253						